

Installing the Dymo Rhino 5200 Li-Ion Battery (item # 1759398)

To insert the battery pack

1. Press the thumb latch on the back of the printer to remove the battery compartment cover. See Figure 3.

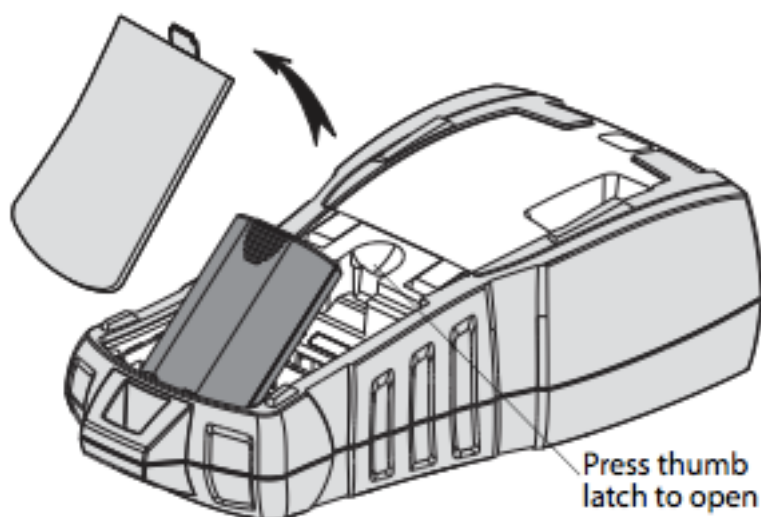


Figure 3

2. Insert the battery pack into the battery compartment. See Figure 3.
3. Replace the battery compartment cover.

⚠ Remove the battery pack if the printer will not be used for a long period of time.